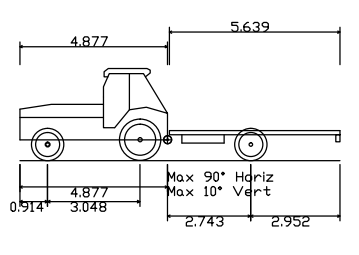
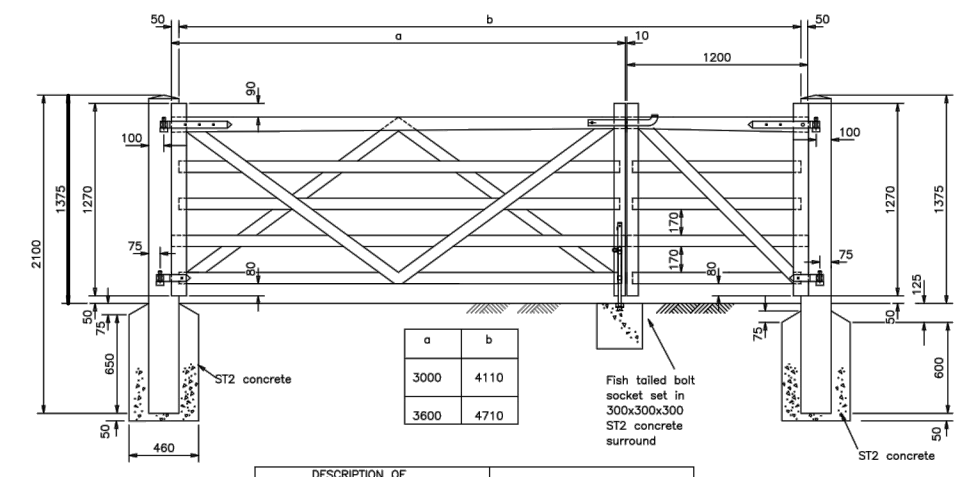


DESCRIPTION OF MATERIAL	SIZE	FIXINGS AND FITTINGS
POSTS (GALVANISED MILD STEEL SHS)	120 x 120 x 5mm THICK	TOP CAPPING PLATE 4.8 THK ADJUSTABLE HINGES BASE PLATE 250x250x4.8 CAP AND BASE TO BE CONTINUOUSLY FLUSH WELDED TO SHS
OUTER FRAMES (GALVANISED MILD STEEL SHS)	80 x 80 x 3.0 THICK	
VERTICAL BRACES (GALVANISED MILD STEEL SHS)	FOUR 38x4.8	FILLET WELDED TO EACH GATE MEMBER CROSSED BY BRACES

AGRICULTURAL ACCESS GATE
N.T.S

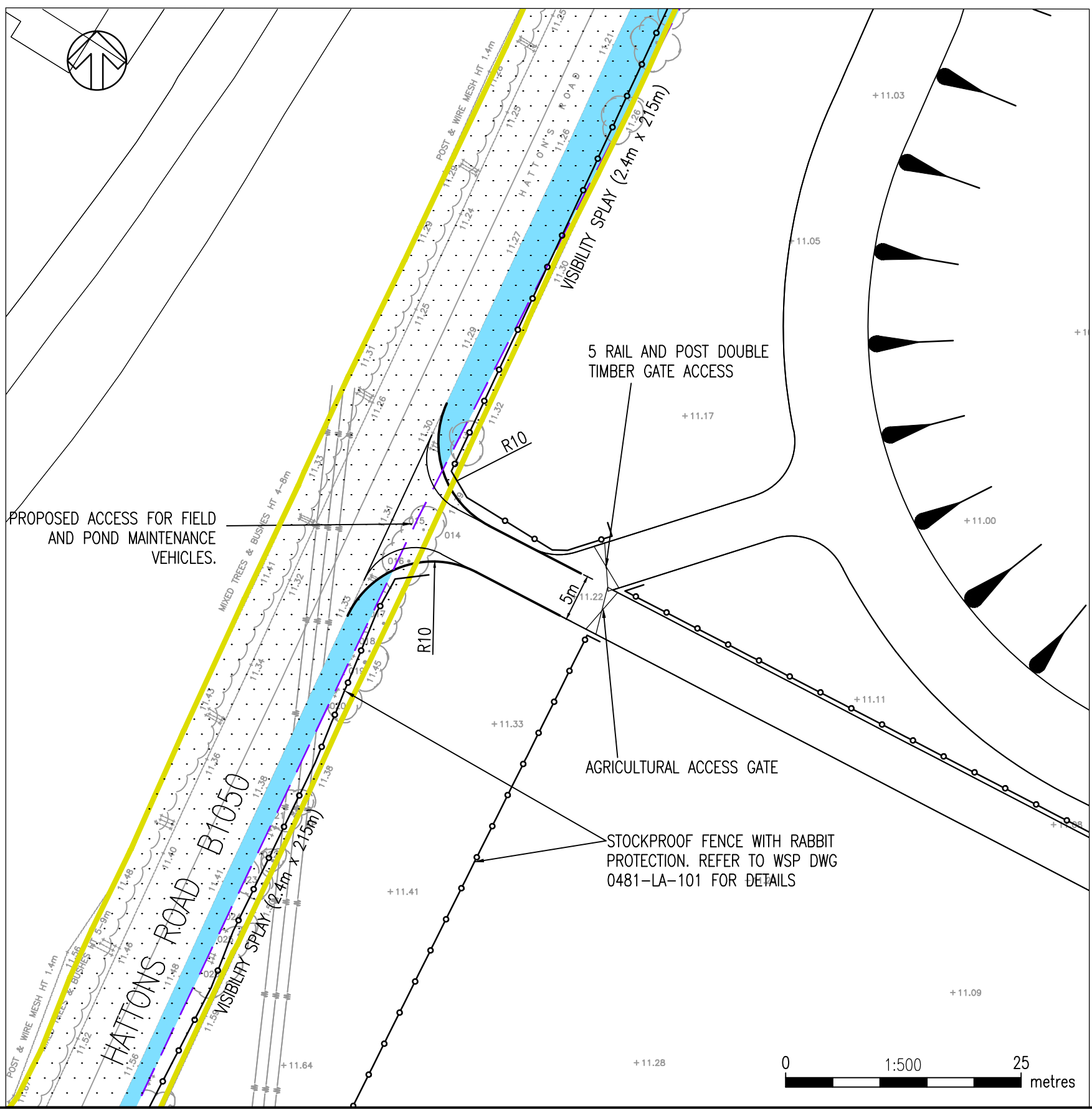


5 RAIL AND POST DOUBLE TIMBER FIELD GATE (MCHW H22)
N.T.S



DESCRIPTION OF TIMBER MATERIALS	SIZE
Hanging post for both gates	200x200x2100 long
Hanging stile	100x75 for 3m gate 125x75 for 3.6m gate
Shutting stile for both gates	75x75
Top rail	100x75 for 3m & 1.2m gate 125x75 for 3.6m gate all tapering to 75x75
All other rails	75x25
Braces housed in top rail	75x25

- NOTES
- ALL DIMENSIONS ARE IN MILLIMETRES UNLESS OTHERWISE STATED.
 - Gates shall comply with the appropriate Clauses in Series 300, any further requirements in Appendix 1/15 or 3/1 and with BS 3470.
 - Drop bolts and catches shall be galvanised to comply with BS 729.
 - All through tenons shall be pegged with 13 dia oak dowels.
 - For details of fittings for hanging and fastening see Drawing Nos. H30 and H32.
 - The gate shall be hung as shown for self closing with self latching stop post as shown on Drawing No. H33.
 - The gate shall open into the owner's property.



NOTES:

- DIMENSIONS ARE IN MILLIMETRES UNLESS OTHERWISE STATED.
- THIS DRAWING IS TO BE READ IN CONJUNCTION WITH ALL RELEVANT SCHEME DRAWINGS AND SPECIFICATIONS.
- THIS DRAWING IS NOT TO BE REPRODUCED IN ANY PART OR FORM WITHOUT CONSENT OF WSP UK LIMITED. ALL COPYRIGHT RESERVED.
- EXISTING ROAD LEVELS AND DRAINAGE INVERT LEVELS SHALL BE CHECKED PRIOR TO CONSTRUCTION COMMENCEMENT. ANY DISCREPANCY SHALL BE REFERRED TO THE ENGINEER.
- THE LOCATION AND DEPTHS OF ALL EXISTING SERVICE APPARATUS SHOULD BE CONFIRMED WITH THE SERVICE AUTHORITIES PRIOR TO ANY EXCAVATION WORKS TAKING PLACE.
- TYPICAL DETAILS EXTRACTED FROM CAMBRIDGE COUNTY COUNCILS STANDARD DETAILS.

- VISIBILITY SPLAY
- FENCE (STOCKPROOF FENCE WITH RABBIT PROTECTION. REFER TO WSP DWG 0481-LA-101 FOR DETAILS)

REV	DATE	BY	DESCRIPTION	CHK	APD
E	17/12/2014	RJ	STATUS AMENDED	AMC	AMC
D	02/12/2014	AO	FENCE ADDED & DWG STATUS UPDATED	AMC	AMC
C	21/11/2014	RGC	ACCESS DETAILS REVISED AND LEVELS ADDED	AMC	AMC
B	25/06/2014	RAH	ACCESS GRADIENT AND DRAINAGE ADDED	RAH	AMC
A	13/08/2013	RJ	FIRST ISSUE	RAH	AMC

DRAWING STATUS: **PLANNING APPLICATION**

One Queens Drive Birmingham West Midlands B5 4PJ
Tel: +44 (0)121 352 4700 Fax: +44 (0)121 352 4701
<http://www.wspgroup.com>

CLIENT: **GALLAGHERS ESTATES**

ARCHITECT: -

PROJECT: **NORTHSTOWE PHASE 1
CAMBRIDGE
HATTON'S ROAD PONDS**

TITLE: **PROPOSED FARM AND NORTHERN POND
MAINTENANCE ACCESS**

SCALE @ A2: AS SHOWN	CHECKED: RAH	APPROVED: AMC
CAD FILE: 0481-SK-004-006	DESIGN-DRAWN: RAH	DATE: August 2013
PROJECT No: 50600481	DRAWING No: 0481-SK-005	REV: E

© WSP Group Ltd